



Building

Proposed Re-Roof of Dwelling

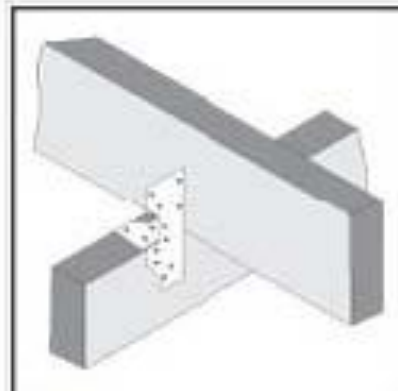
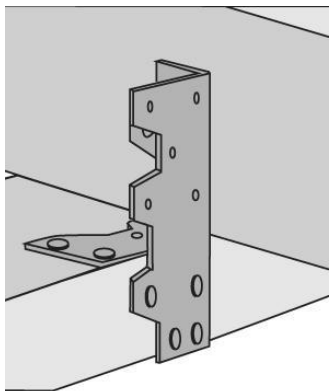
Rafters = @
Cts

Battens = @
_____ Cts for end Spans and
_____ Cts for intermediate spans

Roof Insulation =
For a total R Value of R 3.5 R Value

Roof Cover =
Installed and fixed to manufacturers specifications

**Provide one framing anchor to each rafter
Wind loading N1**



**Framing Anchor
Multi Grip**